

## RLY16

The Logic Systems, Inc. RLY16 converts the DMX1602 16 digital outputs to high voltage, high current isolated relay contacts. Designed to be used with the DMX1602 DMX512 decoder card.

### DIGITAL INPUTS

Connector P3 inputs the card channel 1 through 16 digital outputs from the GW-DMX1602 decoder card, and +12 VDC card power. To energize the relay, connect the selected channel to power supply common.

### CONNECTOR P3 PINOUT

PIN 1 – CHANNEL 1	PIN 14 – CHANNEL 2
PIN 2 – CHANNEL 3	PIN 16 – CHANNEL 4
PIN 3 – CHANNEL 5	PIN 17 – CHANNEL 6
PIN 4 – CHANNEL 7	PIN 18 – CHANNEL 8
PIN 5 – CHANNEL 9	PIN 19 – CHANNEL 10
PIN 6 – CHANNEL 11	PIN 20 – CHANNEL 12
PIN 7 – CHANNEL 13	PIN 21 – CHANNEL 14
PIN 8 – CHANNEL 15	PIN 21 – CHANNEL 16
PINS 9,10,11,12,13 - +12VDC IN	PINS 22,23,24,25,26 - NOT CONNECTED

### RELAY OUTPUTS

The RLY16 accessory card has 16 isolated SPST normally open high voltage, high current contacts. They are rated up to 5 AMPS @ 220 VAC. The contacts do not have on board fuses.

P4 – 1,2 – Relay 1	P5 – 1,2 – Relay 5
P4 – 3,4 – Relay 2	P5 – 3,4 – Relay 6
P4 – 5,6 – Relay 3	P5 – 5,6 – Relay 7
P4 – 7,8 – Relay 4	P5 – 7,8 – Relay 8
P6 – 1,2 – Relay 9	P7 – 1,2 – Relay 13
P6 – 3,4 – Relay 10	P7 – 3,4 – Relay 14
P6 – 5,6 – Relay 11	P7 – 5,6 – Relay 15
P6 – 7,8 – Relay 12	P7 – 7,8 – Relay 16

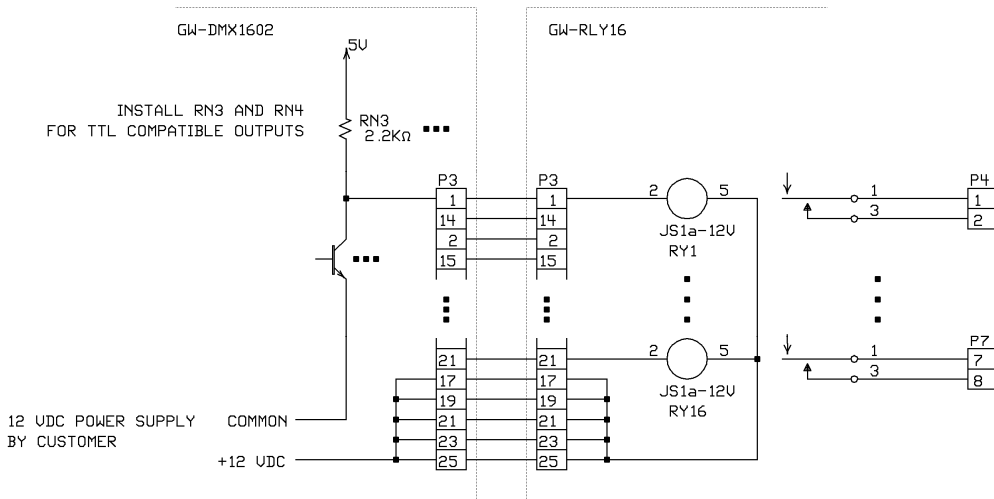


FIGURE 1